



Husky 35 / 40 / 45

High capacity economical roof mount HVAC unit

The Husky product family of inline roof mount air-conditioning unit has been enhanced to meet the demanding and varied demands of the global bus market. The lightweight, high capacity heavy duty transit bus roof mount unit provides improved overall fuel consumption, enhanced reliability, reduced life cycle, service costs compared to its predecessors. Three capacity versions will suit perfectly the demanding heavy duty large bus roof mount applications.

Microchannel Heat Exchangers (MCHX) and light weight design allows lowest possible weight. High part similarity with all members of the product family, very flexible interface to the bus roof and optimal accessibility to service parts perfectly meets bus producer and bus operator expectations. For the maximum passenger and driver comfort, the Husky product family systems are coupled with MCC's advanced control system.

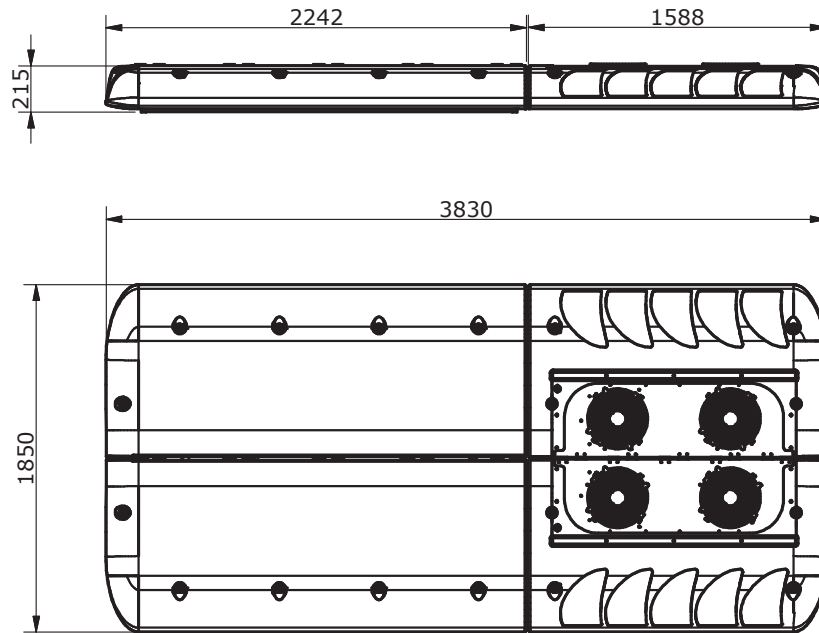


Features

- Slim design
- Condensing section designed for optimal airflow allows use in high ambient condition
- Air filter, filter dryer, TXV accessible from return air opening/blowers, coils from with hinged two-piece cover
- Long-life brushless evaporator blowers & fans
- Compact design, MCHX condenser
- 3 cooling capacity variants
- One roof interface for all variants, different roof adaptors
- Options: 20 or 40% Fresh air, articulated version, different MCC controllers from basic to high end
- Refrigeration (suction, discharge), heating (glycol), front box connection flexible left or right

Benefits

- Modern appearance, good aerodynamics
- High efficiency. Allows the best performance in high ambient condition
- Saves time for seasonal maintenance or other service
- High reliability and efficiency, up to 40.000 hours life cycle
- Low weight, environmentally friendly
- Can be used for different climate zones
- Same fixation points in the roof structure, fits for roof curvatures from flat to 6m
- High flexibility
- Easy to apply to any bus model, variant



Technical Data

	Husky 35	Husky 40	Husky 45
Cooling capacity @ MAX ^[1]	34 kW	38 kW	45 kW
Cooling capacity ARI ^[2]	26 kW	29 kW	34 kW
Heating capacity (Q80)	38 kW	38 kW	24 kW
Length x Width x Height	3830 mm x 1850 mm x 215 mm	3830 mm x 1850 mm x 215 mm	3830 mm x 1850 mm x 215 mm
Weight	175 kg	180 kg	195 kg
Refrigerant	R134a	R134a	R134a
Airflow (Max)	6600 m ³ /h	6600 m ³ /h	8800 m ³ /h
Current Draw (Max)	94 A	94 A	128 A
Current Draw (Nom)	61 A	61 A	83 A

[1] Maximum cooling condition (MAX) ti 40 °C/ ta 35 °C/ 50%

[2] Nominal cooling condition (ARI) ti 27 °C/ ta 35°C/ 50%

